

Product Name:	Glass Bottom Culture Plate & Dishes	
Product Application:	<p>NEST glass bottom series are applied in confocal microscope, high resolution microscope, differential interference contrast microscope, polarized light microscope and phase contrast microscope for cell observation.</p> <ul style="list-style-type: none"> • Cell biology: STEM cell research, cell cycle regulation • Protein chemistry: GFP (green fluorescent protein) identification • Molecular biology: genetic mapping and complex genetic research • Biological research based on Laser Confocal Microscopy • Research based on dual / multi-photon confocal microscopy • High-quality imaging system • Infrared imaging 	
Product Materials:	<p>PS + Imported borosilicate glass (bottom) Meets <i>USP, Class VI standards</i>.</p>	
product Specifications:	<p>Temperature range: stored at room temperature Shelf life: 3 Years after date of production (ensure package is in good)</p>	
Sterilization:	<p>Yes. Sterilized by E-beam, Sterility Assurance Level: SAL=10⁻⁶. The product has been irradiated and dosimetrically released based on ANSI/AAMI/ISO 11137</p>	
Pyrogens:	Non-Pyrogenic	
RNase/DNase:	DNase/RNase free	
BSE/TSE:	These products are deemed animal free.	
Performance Testing:	<p>Each manufacturing lot is sampled and tested in accordance with standard operating procedures.</p> <p>Appearance inspection: qualified Hydrophilic test: qualified Cell culture test: qualified Packaging inspection: qualified</p>	
Features	<ol style="list-style-type: none"> 1. High clarity, 100% virgin polystyrene and high clarity glass as bottoms. Product Materials meets <i>USP, Class VI</i>. 2. High quality cover glass of standard thickness 0.17 mm. 3. Medical adhesive glue to guarantee non-cytotoxicity. 4. Withstand temperature range: Approx.-86°C to 64°C 5. Can be used for live cell observation. 6. Special bottom design for easy grip, Round cover glass insert for good appearance. 	

Product Range

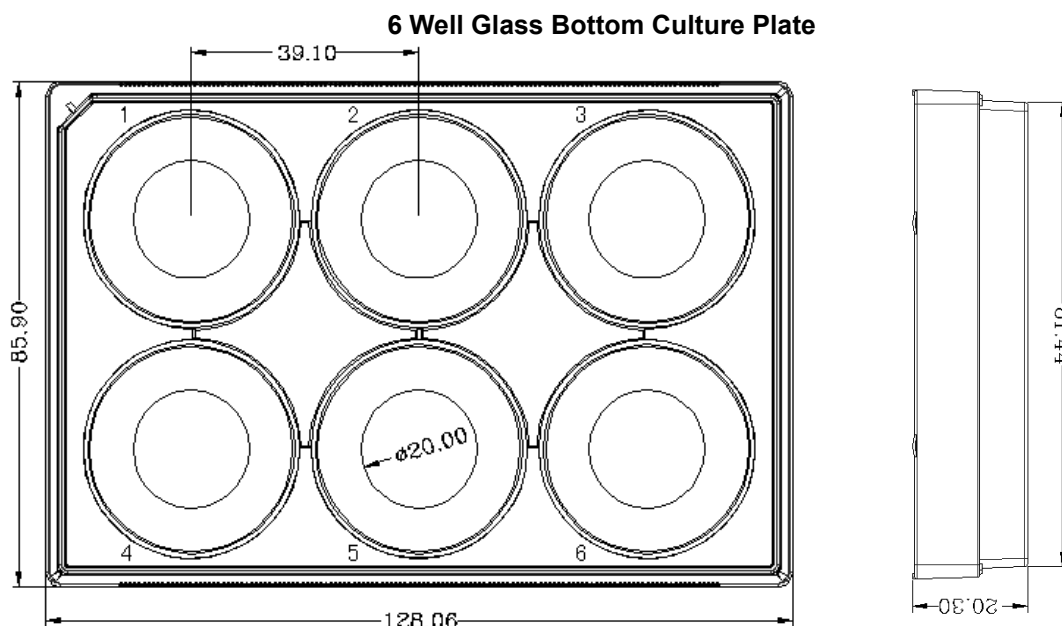
Glass Bottom Culture Dishes

Cat. No.	Product Description			/Pack	/Case
	Spec(mm)		Cultivation Area (cm ²)		
	Type	Glass Diameter			
801002	28.2	15	6.2	10	200
801001	28.2	20	6.2	10	200

Glass Bottom Culture Plates

Cat. No.	Spec	Bottom Diameter(mm)	Glass Diameter(mm)	Cultivation Area (cm ²)	/Case
801004	6	34.8	20.0	9.5	10
801006	24	15.6	10.0	1.9	10

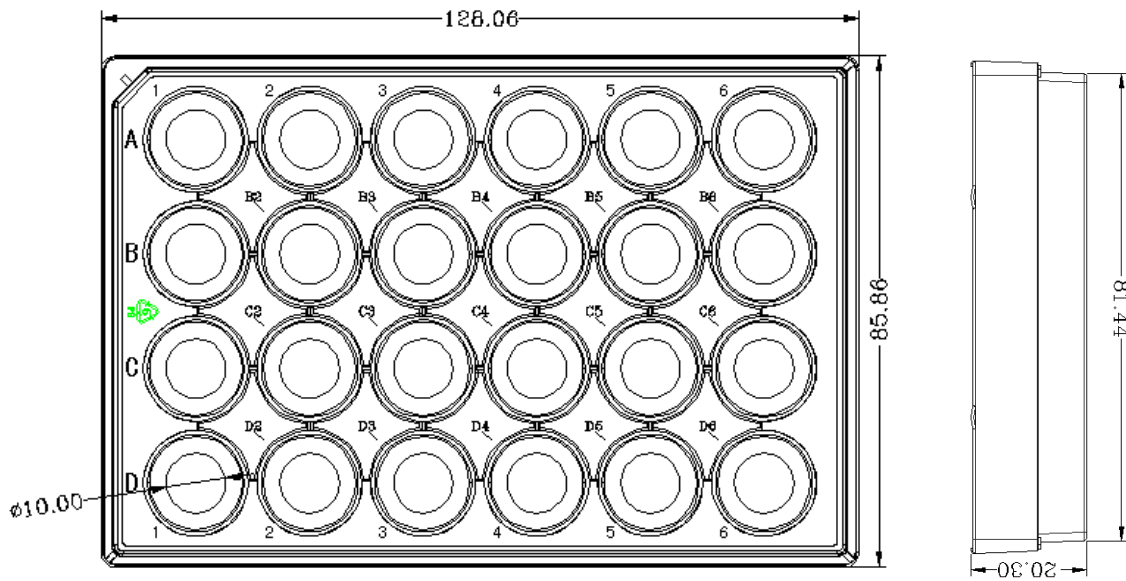
Technical Drawing



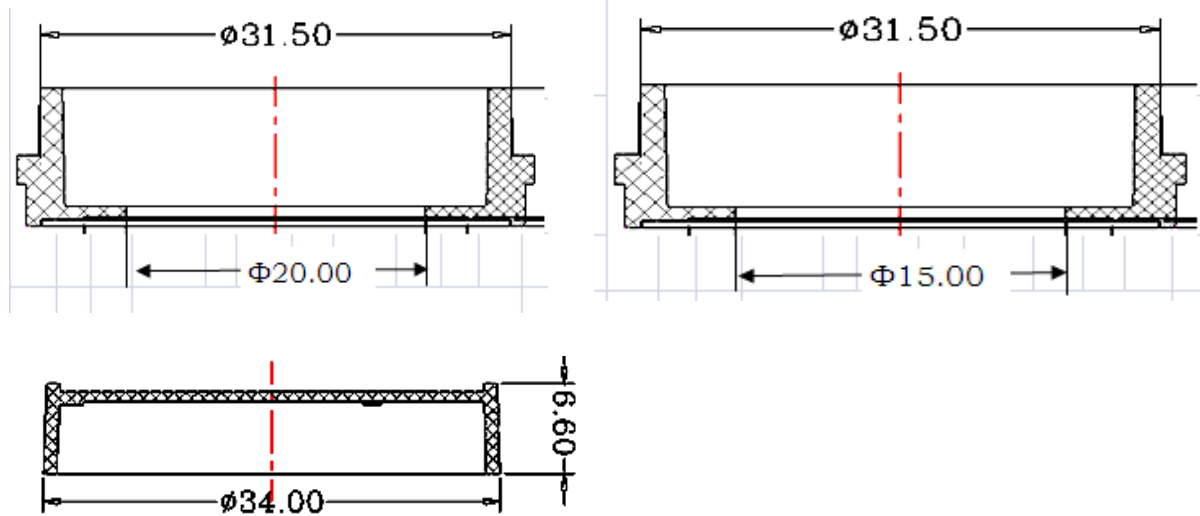
Head Office No. 530, Xida Road, Meicun Industrial Park, Xinwu District, Wuxi, Jiangsu, China
 Tel: +86+ 510-6800 6788 Email: info@nest-wuxi.com
 Online: www.cell-nest.com

Oversea NEST USA (New Jersey/ Phoenix)
 NEST scientific 株式会社 (Yokohama, Japan)
 NEST Scientific Europe B.V (Netherlands)
 Nest Scientific (MENA) FZE (Sharjah, United Arab Emirates)

24 Well Glass Bottom Culture Plate



Glass Bottom Culture Dish



Head Office No. 530, Xida Road, Meicun Industrial Park, Xinwu District, Wuxi, Jiangsu, China
 Tel: +86+ 510-6800 6788 Email: info@nest-wuxi.com
 Online: www.cell-nest.com

Oversea NEST USA (New Jersey/ Phoenix)
 NEST scientific 株式会社 (Yokohama, Japan)
 NEST Scientific Europe B.V (Netherlands)
 Nest Scientific (MENA) FZE (Sharjah, United Arab Emirates)